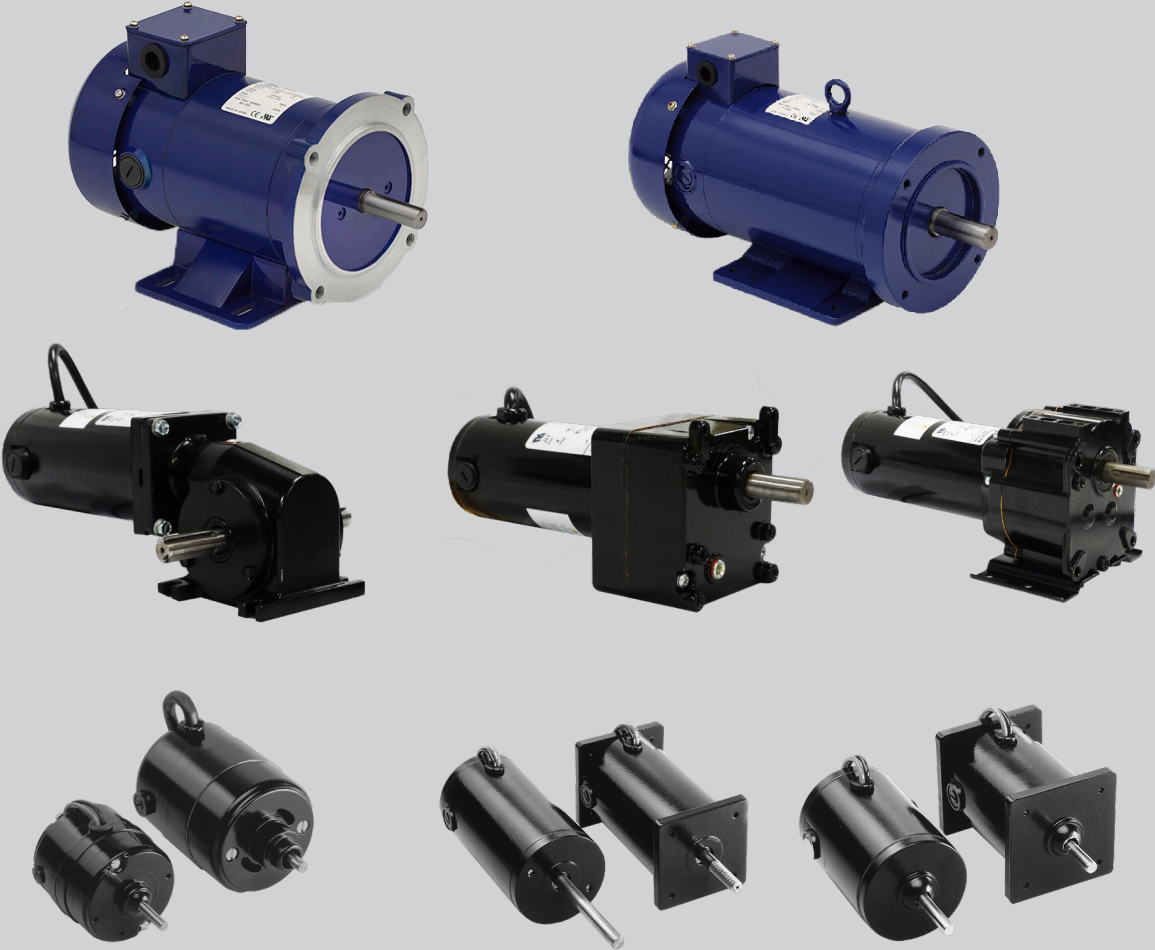


# RAE DC Products - WEG Group

Permanent Magnet Motors & Gearmotors

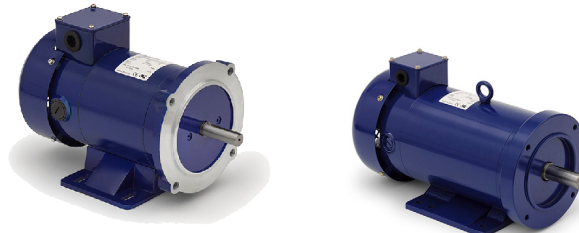


## DC Motors and Gearmotors

WEG DC motors and gearmotors are designed for industrial-strength, continuous duty applications. Our broad range of PMDC motors, gearmotors and wound field motors can be modified to meet your specific application requirements. We offer off-the-shelf products and custom OEM designs. All the standard WEG DC motors and gearmotors are interchangeable with most major brands and are UL/ CSA approved to meet the needs of most general industries.

WEG DC products have been used in many industries for several decades, including:

- Packaging Equipment
- Material Handling
- Office Machinery
- Pumps
- Door/ Gate Openers
- Food Processing
- Lawn/ Garden
- Medical/ Lab Equipment



WEG can provide a complete custom industrial-duty DC-powered solution for all your application needs by developing a custom designed control for the motor. Our team has been developing DC controls for many industries for decades. Let us help you differentiate your product by working to your specifications. For more information on our DC control capabilities, please contact your local sales person or contact us at 815-385-3500.



## NEMA Frame MT Motors

- SCR Rated
- 20:1 Constant torque speed range
- 1.0 Service Factor - Continuous Duty (S1)
- Rolled Steel Frame Construction
- C-Face with Removable bolt-on base
- Class F Insulation
- Ambient temperature up to 40°C
- Permanently lubricated ball bearings
- High Starting Torque and Increased Efficiency
- UL Recognized / CSA Approved and CE Marked
- Replaceable brushes



## NEMA Frame PMDC Motors (90& 180VDC)

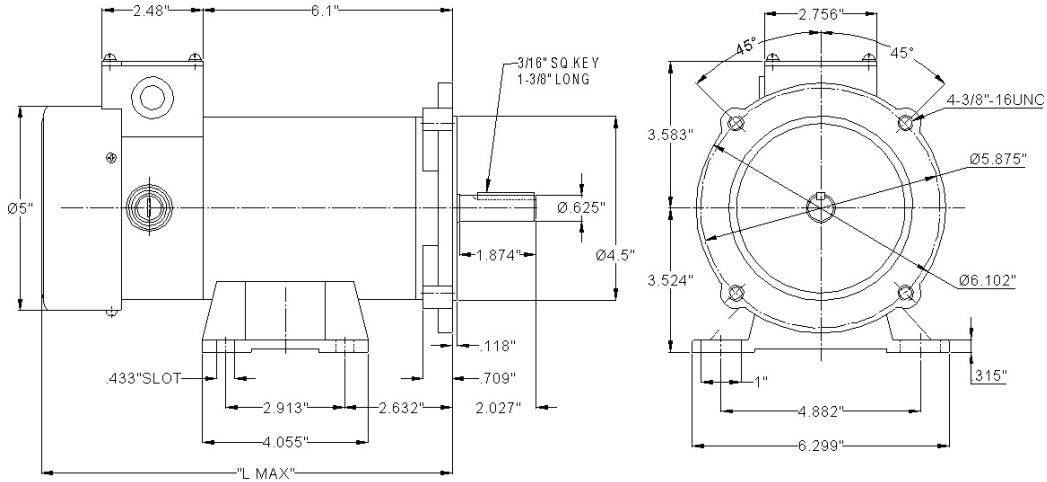
HP	Catalog Number	Full Load RPM	NEMA Frame	Voltage (DC)	Enclosure	Full Load Amps (A)	App. Weight	"L" Dimension Max	List Price	Mult. Symbol
1/4	<a href="#">MT-031</a>	1750	56C	90	TEFC	2.90	19	9.63	<b>\$516</b>	DC1
	<a href="#">MT-041</a>	1750	56C	180	TEFC	1.30	19	9.63	<b>\$516</b>	DC1
1/3	<a href="#">MT-033</a>	1750	56C	90	TEFC	3.70	20	9.63	<b>\$563</b>	DC1
	<a href="#">MT-042</a>	1750	56C	180	TEFC	1.85	20	9.63	<b>\$563</b>	DC1
1/2	<a href="#">MT-032</a>	1750	56C	90	TEFC	5.20	22	10.24	<b>\$644</b>	DC1
	<a href="#">MT-043</a>	1750	56C	180	TEFC	2.60	22	10.24	<b>\$644</b>	DC1
3/4	<a href="#">MT-035</a>	1750	56C	90	TEFC	7.80	28	11.67	<b>\$791</b>	DC1
	<a href="#">MT-044</a>	1750	56C	180	TEFC	3.90	28	11.67	<b>\$791</b>	DC1
1	<a href="#">MT-034</a>	1750	56C	90	TEFC	10.4	32	13.05	<b>\$930</b>	DC1
	<a href="#">MT-037</a>	1750	56C	180	TEFC	5.2	32	13.05	<b>\$930</b>	DC1
1-1/2	<a href="#">MT-038</a>	1750	145TC	180	TEFC	8.0	47	15.60	<b>\$1,590</b>	DC1
2	<a href="#">MT-039</a>	1750	145TC	180	TEFC	9.5	65	16.50	<b>\$2,093</b>	DC1
3	<a href="#">MT-040</a>	1750	145TC	180	TEFC	14.0	72	18.70	<b>\$2,930</b>	DC1

Note: 1/4-1/2HP models have 4.45" frame diameter.  
3/4 & 1HP models have 4.85" frame diameter.

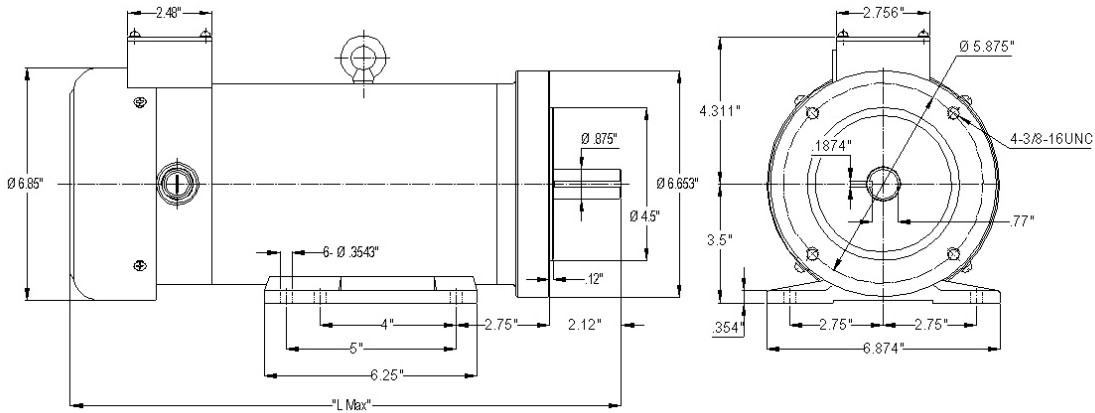
## NEMA Frame Low Voltage PMDC Motors (12 & 24VDC)

HP	Catalog Number	Full Load RPM	NEMA Frame	Voltage (DC)	Enclosure	Full Load Amps (A)	App. Weight	"L" Dimension Max	List Price	Mult. Symbol
1/4	<a href="#">MT-065</a>	1750	56C	12	TENV	21.00	18	9.63	<b>\$613</b>	DC1
	<a href="#">MT-066</a>	1750	56C	24	TENV	10.50	18	9.63	<b>\$613</b>	DC1
1/3	<a href="#">MT-067</a>	1750	56C	12	TENV	28.00	19	9.63	<b>\$674</b>	DC1
	<a href="#">MT-068</a>	1750	56C	24	TENV	14.00	19	9.63	<b>\$645</b>	DC1
1/2	<a href="#">MT-069</a>	1750	56C	12	TENV	40.80	22	10.24	<b>\$702</b>	DC1
	<a href="#">MT-070</a>	1750	56C	24	TENV	20.50	22	10.24	<b>\$669</b>	DC1
3/4	<a href="#">MT-071</a>	1750	56C	12	TENV	61.20	28	11.67	<b>\$773</b>	DC1
	<a href="#">MT-072</a>	1750	56C	24	TENV	28.30	28	11.67	<b>\$701</b>	DC1
1	<a href="#">MT-073</a>	1750	56C	12	TENV	83.0	33	13.05	<b>\$921</b>	DC1
	<a href="#">MT-074</a>	1750	56C	24	TENV	41.5	33	13.05	<b>\$849</b>	DC1

**NEMA 56 Dimensions**



**NEMA 145TC Dimensions**



**Direct Interchange to Many Popular Brands in the Industry**

**BRUSHES FOR RAE “MT” MOTORS**

- List price for one brush. It is best to replace both brushes at the same time. Two brush kits required per motor.

RAE PART NUMBER	MOTOR FRAME SIZE	MOTOR HP RANGE	List Price	Multiplier
MT-56BS	56C	¼ - ½ HP	\$34	DC1
MT-75BS	56C	¾ - 1 HP	\$34	DC1
MT-145BS	145C	1.5 – 3 HP	\$41	DC1

## M1600

The M1600 Series Permanent Magnet Motor features a compact 2.375" diameter design that provides continuous duty torque ratings.

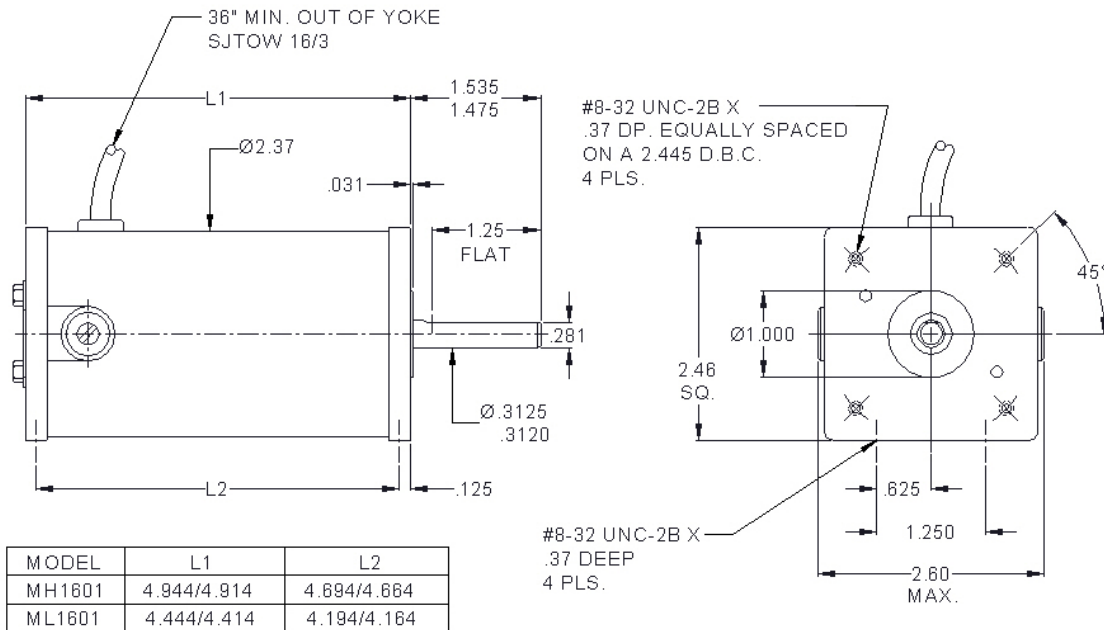
### Features

- High Energy Ceramic Magnets
- Double Shielded Ball Bearings
- Dynamically Balanced Armature
- Reversible Design
- 36" Cord
- TENV Design
- Square End Bells
- Externally Replaceable Brushes
- Optional Sleeve Bearings
- Value added options and modifications available
- 1/30 hp - 1/8 hp
- Speeds up to 5000 rpm
- 12 - 115 VDC
- 0.312" Maximum Shaft Diameter
- 1.00" Standard Pilot Diameter
- Class "F" Insulation



Catalog Number	Hp	Voltage	RPM	FLA	List Price	Mult. Symbol
MH1601	1/20	90	1800	0.61	\$258	DC1
ML1601	1/20	12	1800	4.50	\$228	DC1

### M1600 Dimensions



### Quick Interchange Guide

WEG Catalog Number	Dayton	Leeson
MH1601	3XE22, 4Z142	M1110003.00
ML1601	3XE19, 4Z145	M1110006.00

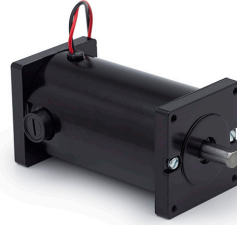
Many other models available for Quick Interchange

## M4000

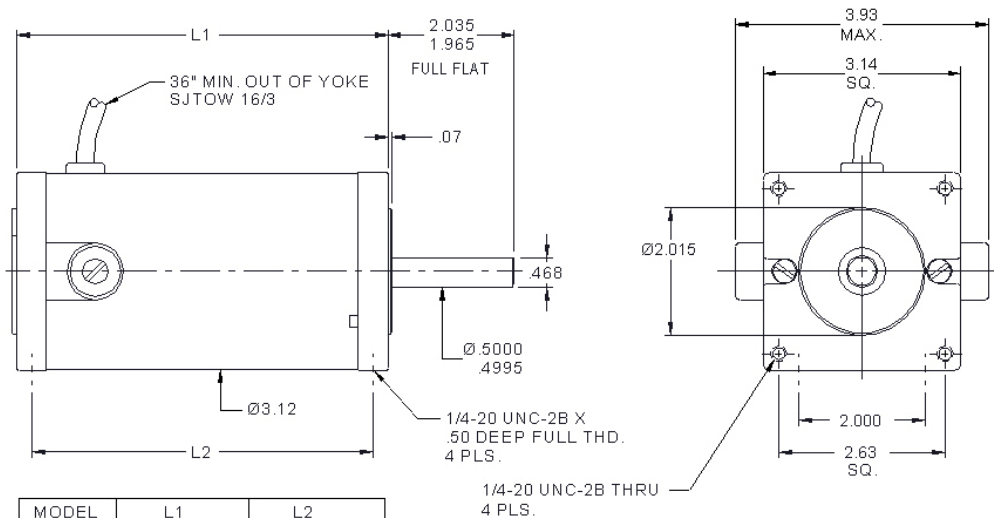
The M4000 Series Permanent Magnet Motor offers the design engineer a great deal of flexibility in a 3.12” diameter motor design that provides continuous duty torque ratings.

### Features

- High Energy Ceramic Magnets
- Double Shielded Ball Bearings
- Dynamically Balanced Armature
- Reversible Design
- 36” Cord
- TENV Design
- Square End Bells
- Externally Replaceable Brushes
- Value added options and modifications available (1/30 hp - 1/4 hp)
- Speeds up to 3500 rpm
- 12 - 180 VDC
- 0.500” Maximum Shaft Diameter
- 2.015” Standard Pilot Diameter
- Class “F” Insulation



Catalog Number	Hp	Voltage	RPM	FLA	List Price	Mult. Symbol
MH4301	1/8	90	1800	1.30	<b>\$337</b>	DC1
MH4401	1/6	90	1800	1.80	<b>\$344</b>	DC1
ML4301	1/8	12	1800	10.20	<b>\$351</b>	DC1
ML4401	1/6	12	1800	15.20	<b>\$372</b>	DC1



MODEL	L1	L2
MH4301	6.915/6.860	6.457/6.382
MH4401	7.915/7.860	7.457/7.382
ML4301	6.915/6.860	6.457/6.382
ML4401	7.915/7.860	7.457/7.382

M4000 Dimensions

### Quick Interchange Guide

WEG Catalog Number	Dayton	Leeson
MH4301	4Z140	M1120027.00
MH4401	4Z528	M1120042.00
ML4301	4Z143	M1120044.00
ML4401	4Z529	M1120046.00

Many other models available for Quick Interchange

### GIL100 Series

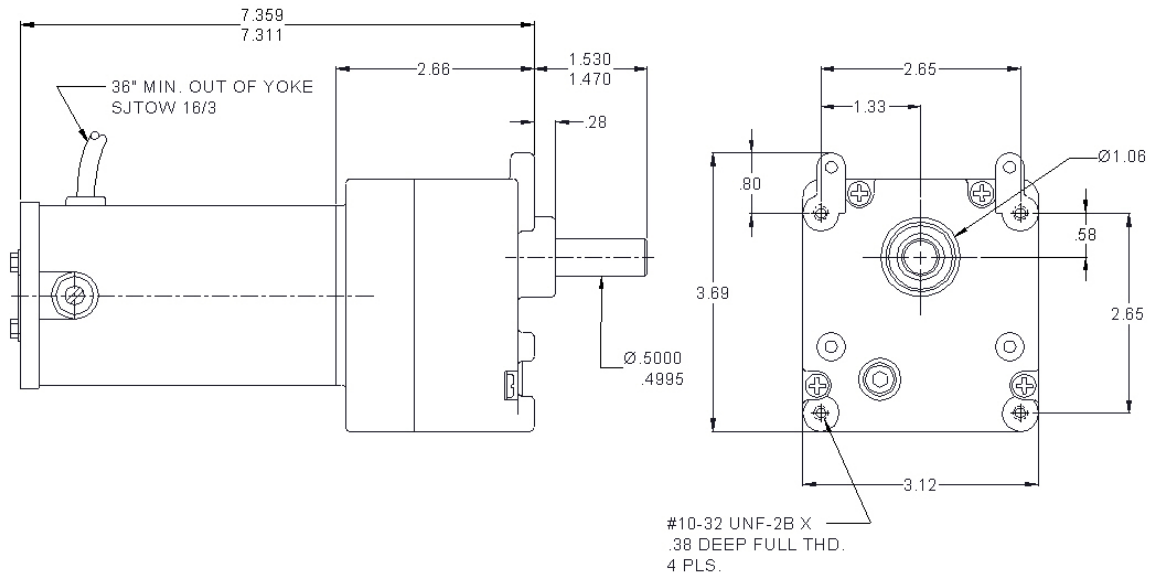
The GL100 Series Gearmotor is a versatile parallel shaft, medium torque design offering low noise levels and longer life for reliable service in any industrial application.

#### Features

- Gearbox Designed to AGMA Standards
- Oil Filled
- Needle Bearings (Gearbox)
- High Energy Ceramic Magnets
- Double Shielded Ball Bearings (Motor)
- Dynamically Balanced Armature
- Reversible Design
- 36" "Cord
- TENV Design
- Externally Replaceable Brushes
- Value Added Options and Modifications Available
- Rating up to 100 in-lbs
- Speeds up to 250 rpm
- 12 up to 115 VDC
- 16:1 up to 488:1 Ratios
- 0.500" Maximum Shaft Diameter
- Class "F" Insulation
- Interchangeable with most popular brands



Catalog Number	Gearmotor	Hp	Voltage	RPM	FLA	Ratios	FLT in-lbs	List Price	Mult. Symbol
<b>GH1001</b>	Parallel	1/20	90	4	0.20	488	100	<b>\$470</b>	DC1
<b>GH1002</b>	Parallel	1/20	90	6	0.24	340	100	<b>\$470</b>	DC1
<b>GH1003</b>	Parallel	1/17	90	10	0.30	172	100	<b>\$470</b>	DC1
<b>GH1004</b>	Parallel	1/17	90	40	0.44	52	50	<b>\$460</b>	DC1
<b>GH1005</b>	Parallel	1/17	90	65	0.46	31	30	<b>\$460</b>	DC1
<b>GH1006</b>	Parallel	1/17	90	90	0.46	16	20	<b>\$460</b>	DC1



## GIL200

The GIL200 Series Gearmotor is a versatile parallel shaft design offering high torque, low noise levels and long life for reliable service in any industrial application.

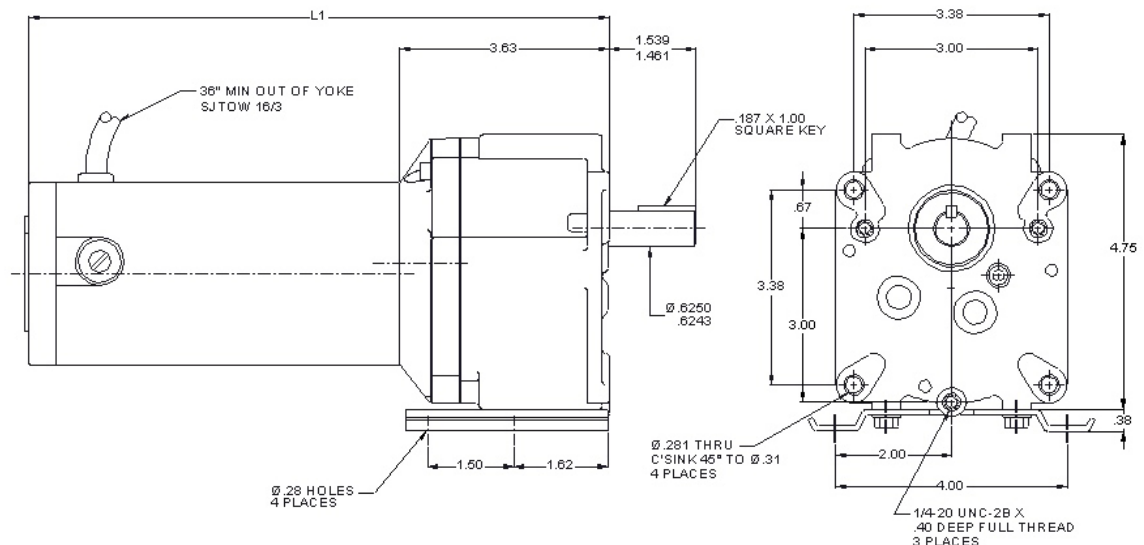
### Features

- TENV Design
- Gearbox Designed to AGMA Standards
- Oil Lubrication
- Needle Bearings (Gearbox)
- Double Shielded Ball Bearings (Motor)
- Dynamically Balanced Armature
- Reversible Design
- Externally Replaceable Brushes
- Value Added Options and Modifications Available
- Rating up to 300 in-lbs
- 12 up to 180 VDC
- 5:1 up to 343:1 Ratios
- 0.625" Standard Shaft Diameter
- Class "F" Insulation
- Interchangeable with most popular brands



Catalog Number	Gearmotor	Hp	Voltage	RPM	FLA	Ratios	FLT in-lbs	List Price	Mult. Symbol
<a href="#">GH2001</a>	Parallel	1/20	90	6	0.59	343	290	<b>\$651</b>	DC1
<a href="#">GH2002</a>	Parallel	1/20	90	9	0.75	202	268	<b>\$651</b>	DC1
<a href="#">GH2003</a>	Parallel	1/20	90	18	0.80	103	150	<b>\$651</b>	DC1
<a href="#">GL2001</a>	Parallel	1/20	12	6	3.89	343	290	<b>\$656</b>	DC1
<a href="#">GH2004</a>	Parallel	1/8	90	21	1.30	88	280	<b>\$656</b>	DC1
<a href="#">GH2005</a>	Parallel	1/8	90	26	1.58	69	280	<b>\$663</b>	DC1
<a href="#">GH2006</a>	Parallel	1/8	90	32	1.50	58	220	<b>\$663</b>	DC1
<a href="#">GH2007</a>	Parallel	1/8	90	54	1.51	34	138	<b>\$663</b>	DC1
<a href="#">GH2008</a>	Parallel	1/8	90	61	1.42	30	113	<b>\$653</b>	DC1
<a href="#">GH2009</a>	Parallel	1/8	90	91	1.58	20	86	<b>\$653</b>	DC1
<a href="#">GH2010</a>	Parallel	1/8	90	165	1.57	11	47	<b>\$653</b>	DC1
<a href="#">GH2011</a>	Parallel	1/8	90	364	1.55	5	21	<b>\$667</b>	DC1
<a href="#">GL2002</a>	Parallel	1/8	12	31	12.00	58	220	<b>\$667</b>	DC1
<a href="#">GL2003</a>	Parallel	1/8	12	61	11.40	30	113	<b>\$658</b>	DC1
<a href="#">GL2004</a>	Parallel	1/8	12	163	12.60	11	47	<b>\$658</b>	DC1

MODEL	L1
<a href="#">GL2001</a>	8.081/8.006
<a href="#">GL2002</a>	10.081/10.006
<a href="#">GL2003</a>	10.081/10.006
<a href="#">GL2004</a>	10.081/10.006
<a href="#">GH2002</a>	8.081/8.006
<a href="#">GH2003</a>	8.081/8.006
<a href="#">GH2004</a>	10.081/10.006
<a href="#">GH2005</a>	10.081/10.006
<a href="#">GH2006</a>	10.081/10.006
<a href="#">GH2007</a>	10.081/10.006
<a href="#">GH2008</a>	10.081/10.006
<a href="#">GH2009</a>	10.081/10.006
<a href="#">GH2010</a>	10.081/10.006
<a href="#">GH2011</a>	10.081/10.006



For WEG's worldwide  
operations visit our website



**[www.weg.net](http://www.weg.net) - 1-800-ASK-4WEG**



WEG Electric Corp.  
6655 Sugarloaf Parkway  
Duluth, GA 30097  
Phone: 1-800-ASK-4WEG  
[www.weg.net](http://www.weg.net)

Please contact your authorized distributor: